



AS 120.X2 PLUS Analytical Balance

More information on the website  
[radwag.com/en/info,w1,68V](http://radwag.com/en/info,w1,68V)



AS 120.X2 PLUS Analytical Balance

The drawings, photos and graphics used are for illustrative purposes only.

## Functions



Autotest



Dosing



Percent Weighing



Parts counting



Peak hold



Formulation



Newton unit measurement



Statistics



Checkweighing



IR sensors



Under-pan weighing



GLP Procedures



Animal weighing



Density determination



Ambient conditions monitoring



Replaceable unit



Statistical Quality Control



ALIBI Memory



Mass for titrator



Wi-Fi

# Datasheet

AS 120.X2 PLUS Analytical Balance	
<b>Metrological parameters</b>	
Maximum capacity [Max]	120 g
Minimum load	1 mg
Readability [d]	0,01 mg
Verification unit [e]	1 mg
Tare range	-120 g
Standard repeatability [5% Max]	0,01 mg
Standard repeatability [Max]	0,025 mg
Standard minimum weight (USP)	20 mg
Standard minimum weight (U=1%, k=2)	2 mg
Permissible repeatability [5% Max]	0,02 mg
Permissible repeatability [Max]	0,04 mg
Linearity	±0,07 mg
Stabilization time	2 s
Adjustment	internal (automatic)
OIML Class	I
<b>Physical parameters</b>	
Leveling system	semi-automatic - LevelSENSING
Display	5" graphic color touchscreen
Weighing chamber doors	manual
Delivery components	Balance, weighing pan, weighing pan shield, centring ring, bottom cover, power supply, fabric dust cover.
Weighing chamber dimensions	190×190×222 mm
Weighing pan dimensions	ø90 open-work pan + ø85 (option) mm
Packaging dimensions	545×455×575 mm
Net weight	7,3 kg
Gross weight	9,3 kg
<b>Construction</b>	
Protection class	IP 43
<b>Components and software</b>	
Database capacity	7
<b>Features of use</b>	
Touch-free operation	2 IR Sensors
<b>Communication interface</b>	
Communication interface	RS232 <sup>1</sup> , 2×USB-A (interchangeable), USB-B, Wi-Fi, Ethernet
<b>Electrical parameters</b>	
Power supply	Adapter: 100 – 240V AC 50/60Hz 0,6A; 12V DC 1,2A Balance: 12 – 15V DC 0,8A max
Power consumption max.	4 W
<b>Environmental conditions</b>	
Operating temperature	+10 ÷ +40 °C
Ambient conditions monitoring (option)	THBR 2.0 System, THBR BOX, THB P, THB W, THB S
Relative humidity	40% ÷ 80%

Repeatability is expressed as a standard deviation from 10 weighing cycles. Stabilization time depends on the ambient conditions and the dynamics of weighing pan loading; specified for FAST profile. 1 Barcode scanners, available as weighing instrument accessory, communicate with the instrument via RS232 interface exclusively.



Extra payment for verification



## Accessories

Antivibration Tables  
Power Adapters  
Cigarette lighter receptacle power supply cables  
Density determination KIT  
USB cable (scale - printer)  
Professional Weighing Tables  
Barcode scanners  
Workstation for Pipettes Calibration  
RS 232, RS 485 cables  
THBR 2.0 System - Ambient Conditions Monitoring

Displays  
Protective cover for balances  
Weighing dishes  
Antistatic ionizer  
Receipt Printer  
RS 232, RS 485 cables  
Additional modules  
Under-pan weighing  
RS 232 cables (scale - printer)  
RS 232 – RS 485 Converter

## Software

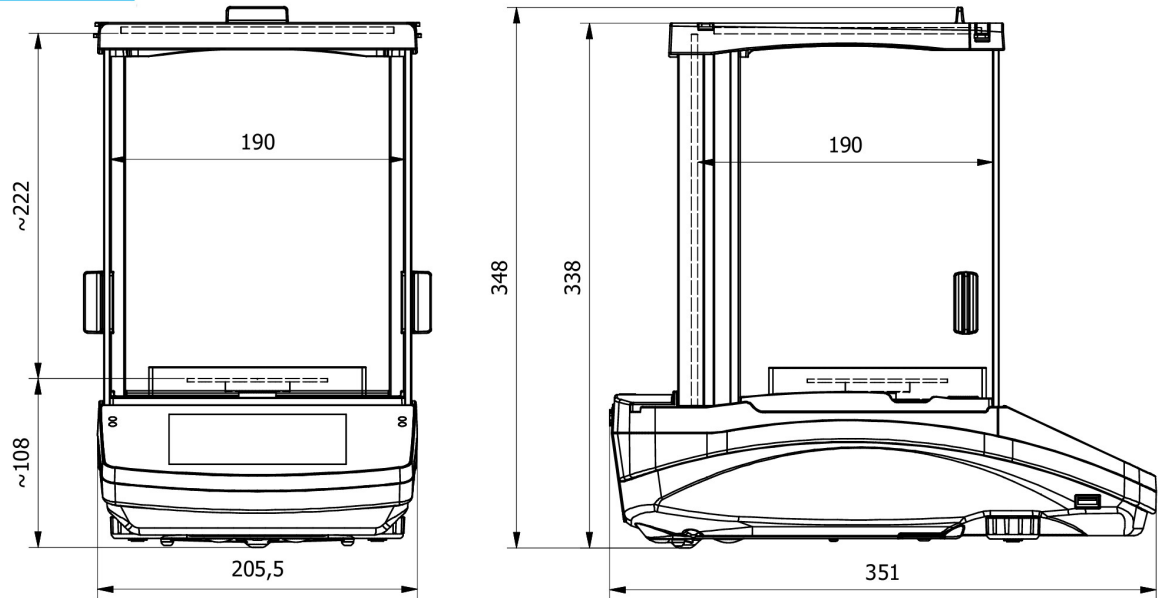
RAD-KEY  
R-LAB  
RADWAG Development Studio

Alibi Reader  
Scales Editor 2.1

## Device dimensions

AS 120.X2 PLUS Analytical Balance

AS X2 PLUS, d = 0.01 mg



AS X2 PLUS, d = 0.1 mg

